

Multilayer Chip Beads / Ferrite Chip Beads MB1608

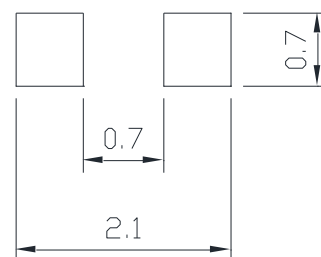
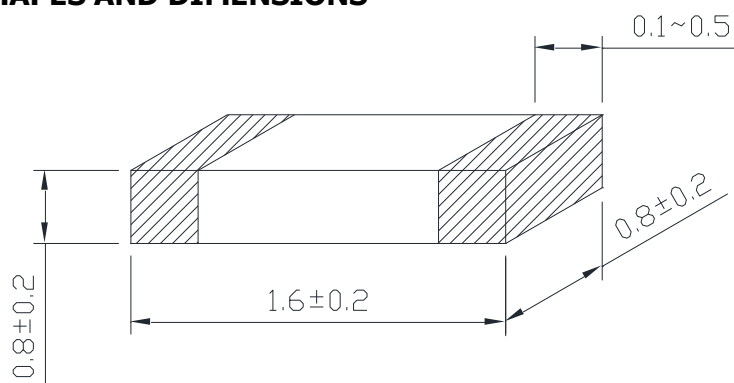


PART NUMBERING SYSTEM

MB	1608	—	121	—	LF
TYPE	DIMENSIONS		IMPEDANCE		LEAD FREE

SHAPES AND DIMENSIONS

UNIT : mm



SPECIFICATION TABLE

PART NUMBER	IMPEDANCE (Ω) at 100MHz	DCR (Ω) (max)	IDC (mA) (max)
MB1608-100-LF	10±25%	0.10	500
MB1608-110-LF	11±25%	0.05	500
MB1608-190-LF	19±25%	0.10	400
MB1608-220-LF	22±25%	0.10	400
MB1608-310-LF	31±25%	0.10	400
MB1608-470-LF	47±25%	0.15	400
MB1608-520-LF	52±25%	0.15	400
MB1608-600-LF	60±25%	0.20	300
MB1608-600-0.5A-LF	60±25%	0.10	500
MB1608-680-LF	68±25%	0.15	400
MB1608-800-LF	80±25%	0.15	400
MB1608H-800-LF	80±25%	0.10	600
MB1608-101-LF	100±25%	0.20	400
MB1608H-101-LF	100±25%	0.15	600

All specifications are subject to change without notice.

Our specification limit the quality of the component to a single unit. Please ensure the component is thoroughly evaluated in your application circuit

Revised Jun 2022

A0

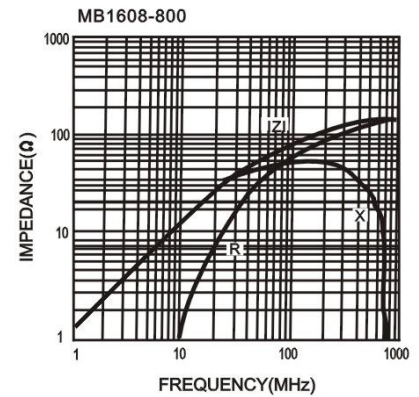
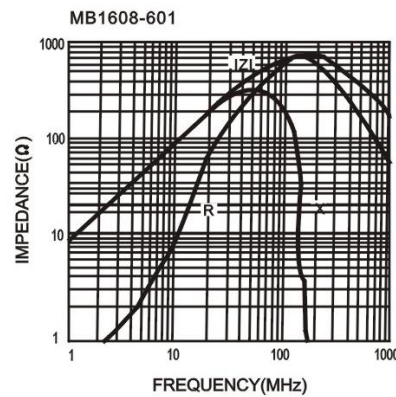
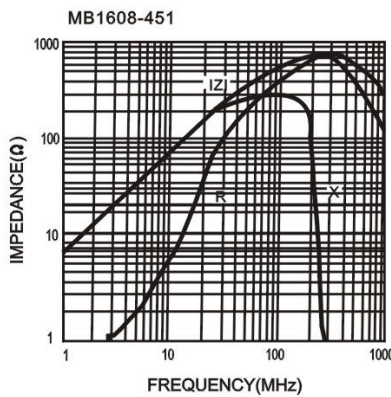
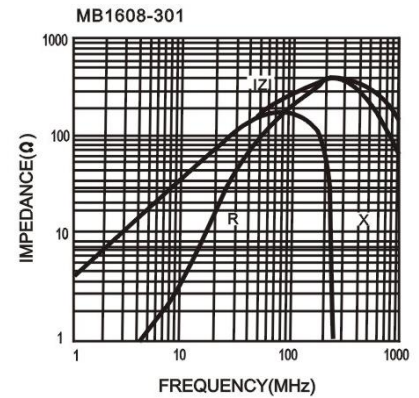
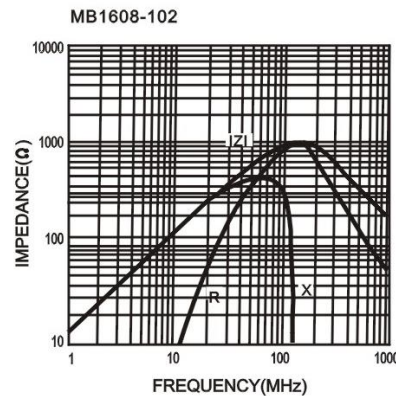
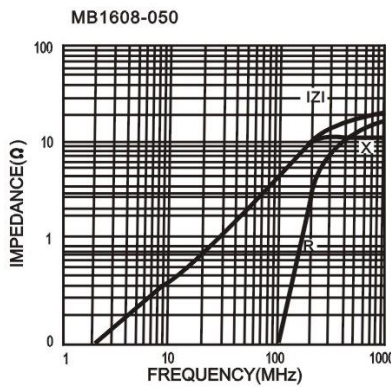
PART NUMBER	IMPEDANCE (Ω) at 100MHz	DCR (Ω) (max)	IDC (mA) (max)
MB1608-121-LF	120±25%	0.15	400
MB1608H-121-LF	120±25%	0.15	600
MB1608HP-121-LF	120±25%	0.10	700
MB1608-151-LF	150±25%	0.15	400
MB1608-181-LF	180±25%	0.20	400
MB1608H-181-LF	180±25%	0.15	600
MB1608-201-LF	200±25%	0.30	300
MB1608-221-LF	220±25%	0.20	400
MB1608H-221-LF	220±25%	0.20	500
MB1608-241-LF	240±25%	0.50	200
MB1608HP-241-LF	240±25%	0.20	500
MB1608-301-LF	300±25%	0.30	400
MB1608H-301-LF	300±25%	0.35	500
MB1608H-301-0.6A-LF	300±25%	0.20	600
MB1608-331-LF	330±25%	0.45	200
MB1608-401-LF	400±25%	0.30	400
MB1608-451-LF	450±25%	0.30	400
MB1608-471-LF	470±25%	0.40	200
MB1608H-471-LF	470±25%	0.50	300
MB1608-601-LF	600±25%	0.35	400
MB1608H-601-LF	600±25%	0.35	500
MB1608-681-LF	680±25%	0.70	200
MB1608-751-LF	750±25%	0.50	500
MB1608-801-LF	800±25%	0.35	400
MB1608-102-LF	1000±25%	0.55	300
MB1608H-102-LF	1000±25%	0.50	400
MB1608-102-0.7A-LF	1000±25%	0.70	700
MB1608-152-LF	1500±25%	0.60	200
MB1608H-152-LF	1500±25%	0.50	300
MB1608HP-152-LF	1500±25%	0.40	500
MB1608-182-LF	1800±25%	1.00	100
MB1608H-182-LF	1800±25%	0.85	200
MB1608-202-LF	2000±25%	1.50	100
MB1608-222-LF	2200±25%	1.00	50
MB1608-252-LF	2500±25%	1.00	50
MB1608H-252-LF	2500±25%	0.80	200

All specifications are subject to change without notice.

Our specification limit the quality of the component to a single unit. Please ensure the component is thoroughly evaluated in your application circuit

Revised Jun 2022

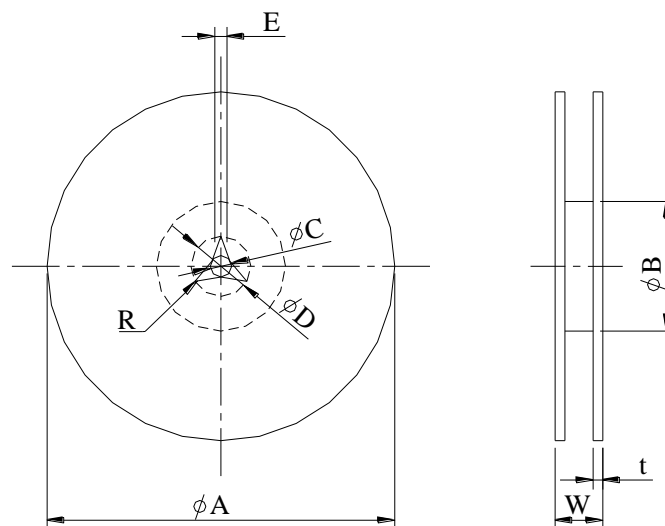
IMPEDANCE vs FREQUENCY



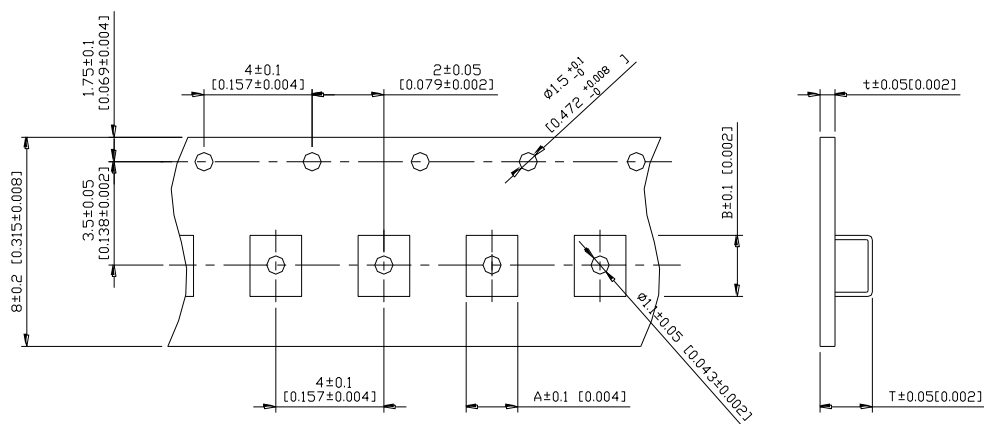
- Test equipment : Agilent/HP-4291A impedance analyzer or equipment .
- Operating temperature range -55°C to $+125^{\circ}\text{C}$
- Electrical specifications at 25°C
- Noise reduction solution for general signal line.
- Great reduce the possibility of resonance and signal wave forms undistorted.
- Excellent solder heat resistance.
- Various impedances are available to match signal frequency.

Multilayer Chip Beads / Ferrite Chip Beads MB1608

PACKAGING SPECIFICATION



	A	B	C	D	E	W8	W12	t	R
T($\psi 178\text{mm}$) Reel	$\psi 178 \pm 2$	$\psi 60 \pm 1$	$\psi 13 \pm 0.8$	$\psi 21 \pm 0.8$	2	10 ± 1.5	14.5 ± 1.5	1.27 ± 0.2	1



TYPE	A	B	T	t	T($\psi 178\text{mm}$)	T($\psi 330\text{mm}$)
MB1608	1.10	1.90	1.10	0.2	4000 pcs/reel	-